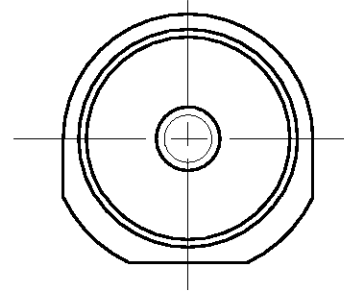
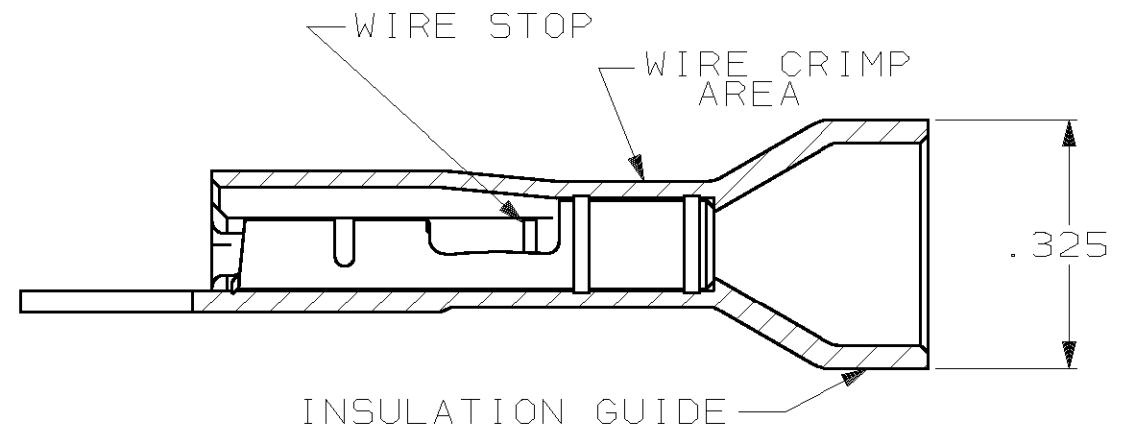
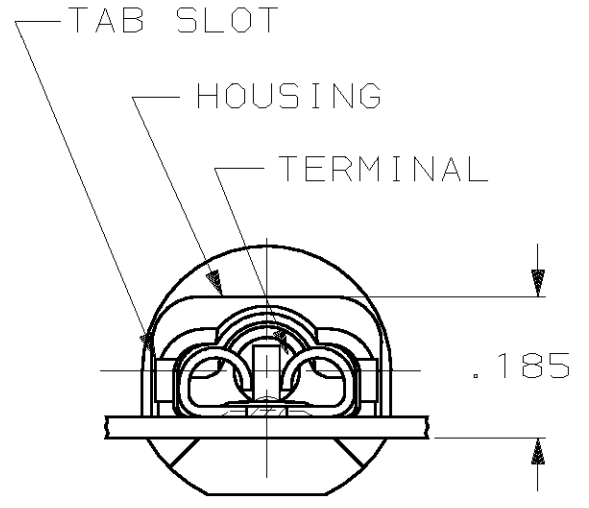
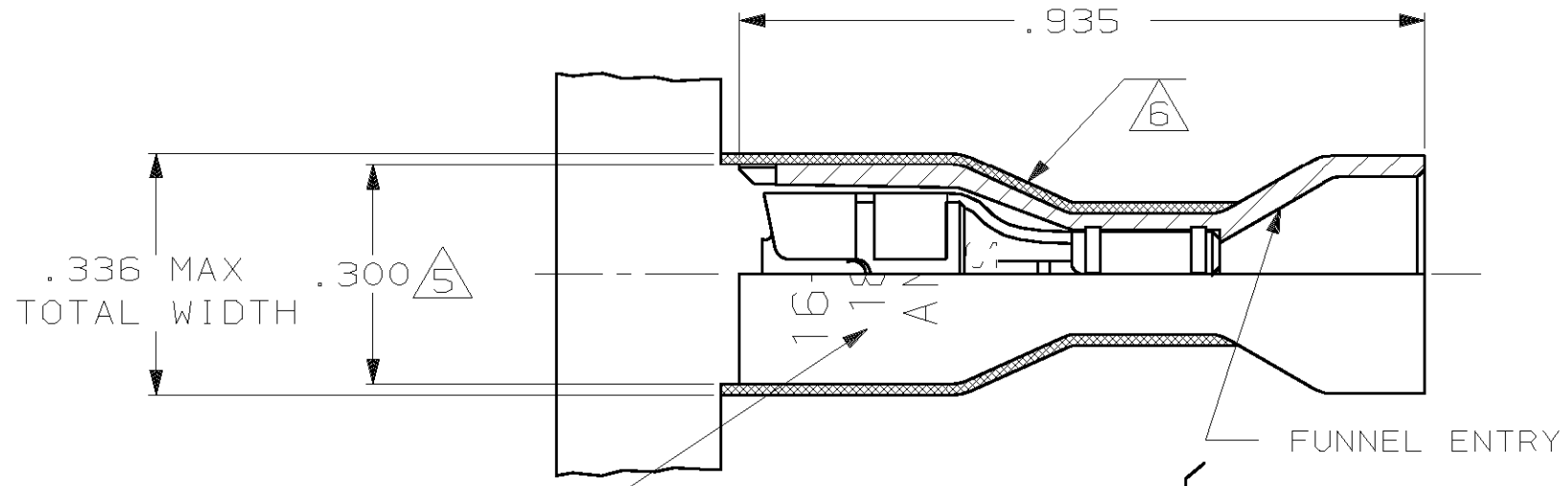


THIS DRAWING IS UNPUBLISHED. RELEASED FOR PUBLICATION ,19 .  
 © COPYRIGHT 19 BY AMP INCORPORATED. ALL INTERNATIONAL RIGHTS RESERVED.

LOC	DIST	P	F	ZONE	LTR	REVISIONS	DATE	APPD
AF	50				M	ADDED 6-2 PER 0G3A-0391-00	28JUL00	JR/JH

- 1 MATES WITH .020±.001×.187 TAB
- 2 WIRE STRIP LENGTH .281
- 3 INSULATION SIZE .260 MAX DIA
- 4 CONTINUOUS STRIP ON REELS
- △5 DIMENSION DOES NOT INCLUDE TRIM BURR
- △6 .015 MAX CARRIER TRIM BURR PER SIDE IS ALLOWABLE IN THE SHADED AREA
- △7 PRELIMINARY - NOT FOR PRODUCTION



STANDARD	HOUSING: NYLON, COLOR-GRAY TRANSLUCENT RECEPTACLE: #3 HARD BRASS TIN PL .000080 MIN THK	△7 6-520150-2
BULK	HOUSING: NYLON, COLOR-BLUE TRANSLUCENT RECEPTACLE: #3 HARD BRASS	5-520150-2
STANDARD	TIN PL .000080 MIN THK	3-520150-2
PACKAGING	MATERIAL & FINISH	PART NO

DO NOT SCALE PRINT. UNLESS SPECIFIED DIMENSIONS IN INCHES TOLERANCES ON: 2 PLC DEC ± - 3 PLC DEC ± .015 ANGLES ± -	DR 9/28/88 P FORTNEY	<b>AMP</b> AMP INCORPORATED Harrisburg, Pa. 17105		
	CHK 9/28/88 MS FEHER			
	MATERIAL SEE TABLE	APPD 9/28/88 K RANDOLPH	NAME RECEPTACLE ASSY, ULTRA-FAST, .187 SERIES, 16-14 AWG	
	FINISH SEE TABLE	APPD 9/28/88 C ATHERTON	SIZE <b>B</b>	FSCM NO 00779
	PRODUCT SPEC 108-2043	SCALE 4:1	SHEET 1 OF 1	
	APPLICATION SPEC 114-2123			
	WEIGHT -			